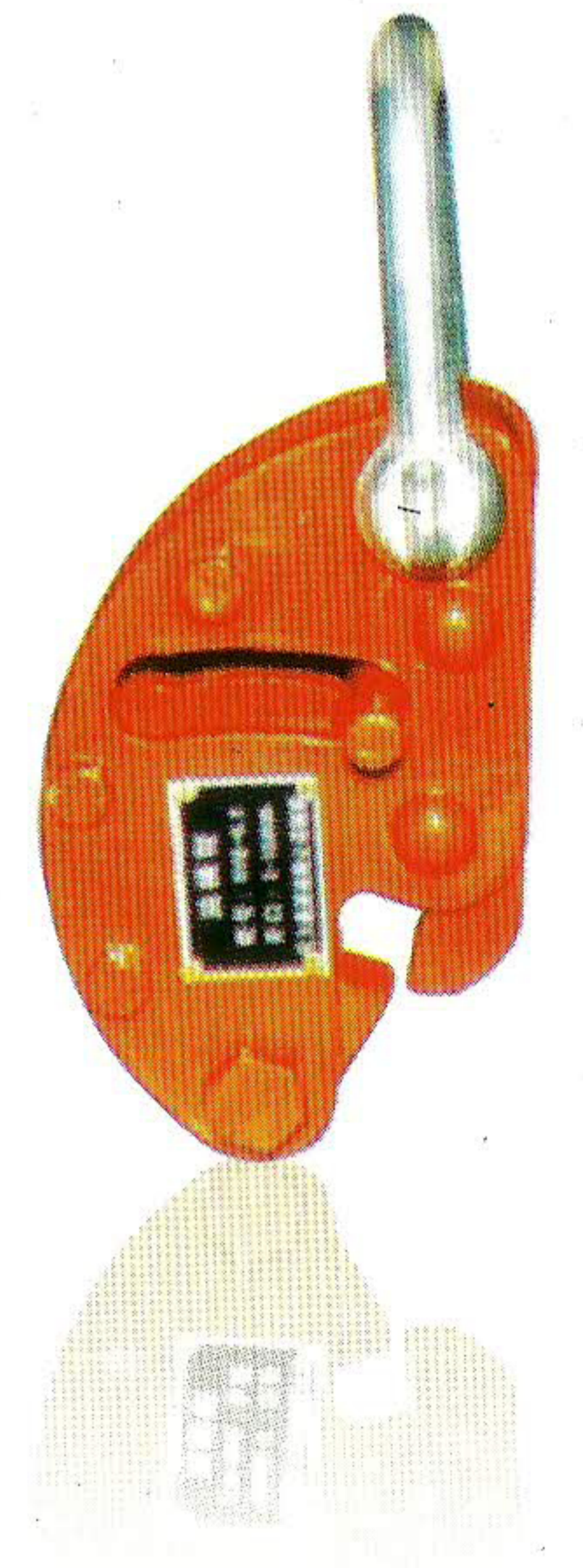
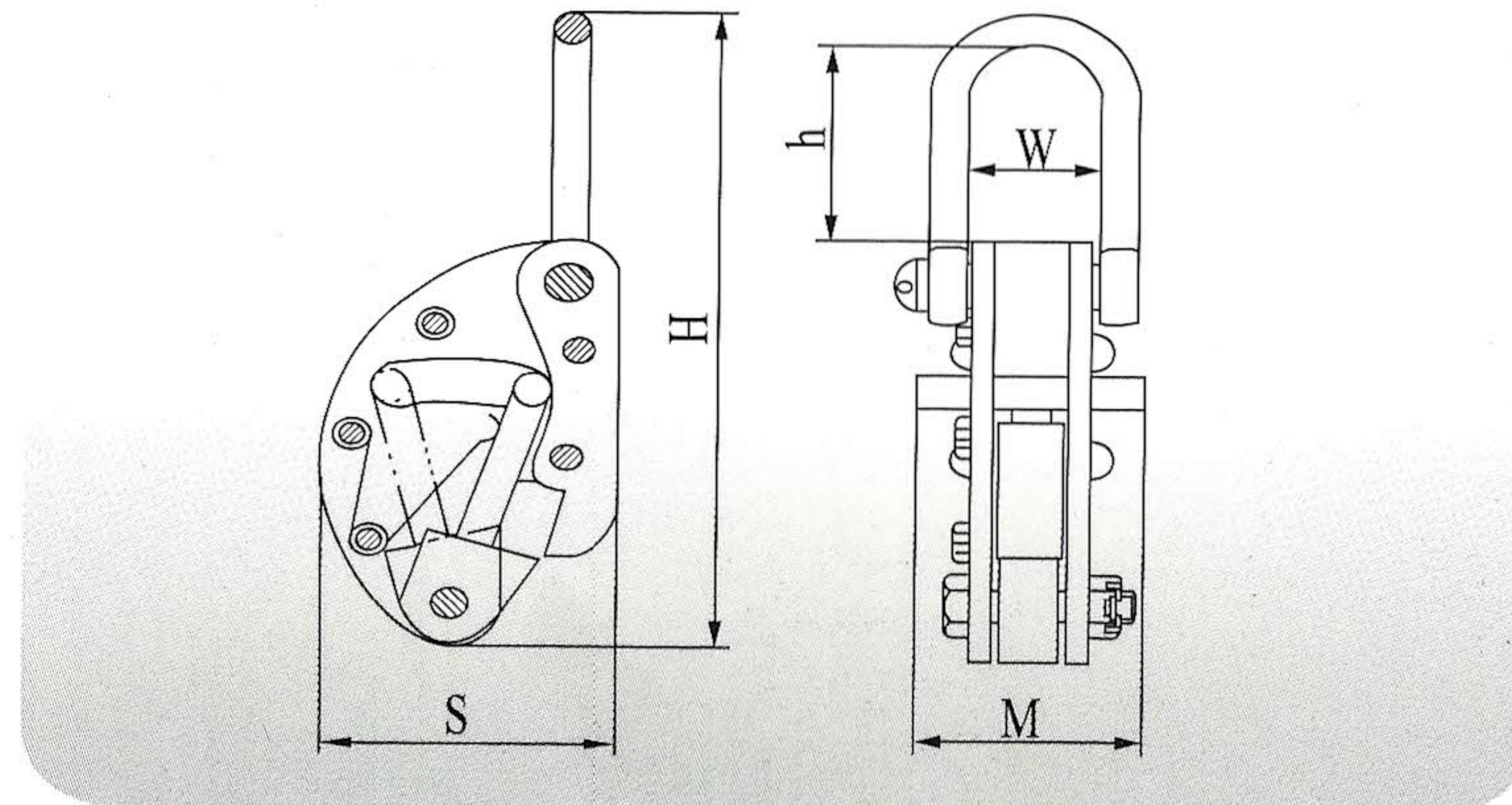
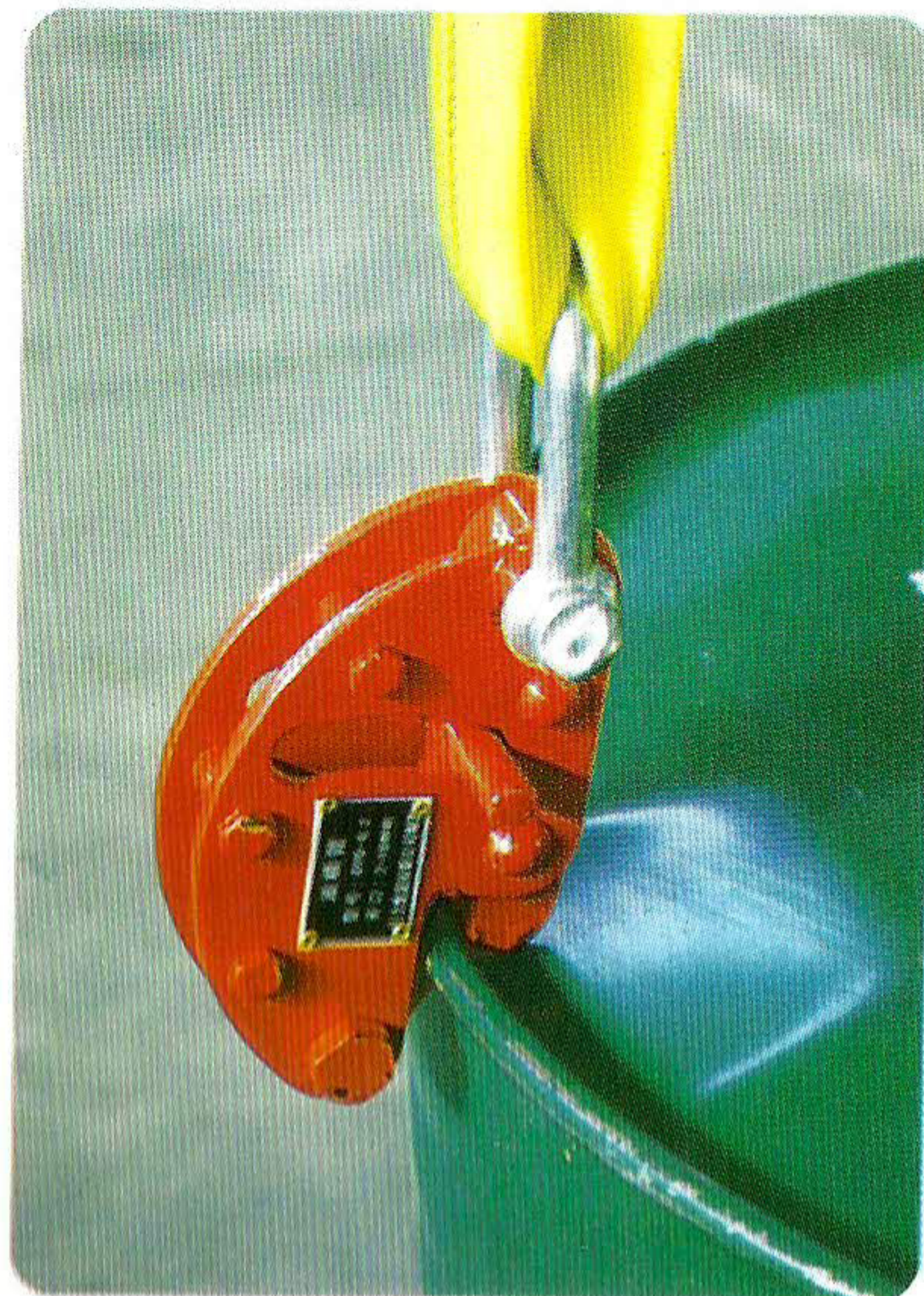


# JERRICAN CLAMPS

或成组使用。

型号 Art.NO	Working load limit t/per pair	Steel plate thickness mm	H mm	h mm	M mm	S mm	W mm	Weight Kg
DYQ0.2	0.2	2~10	188	60	60	80	35	1.0

sketch map of the lifting



For lifting and transport jerricans.  
Capacity range:200kgs.  
The working load limited is applied in one piece, during lifting single or groups could be used together.  
Avoid snatch or shock loading.  
2 times WLL=Proof load, 4 times WLL=minimum breaking strength.